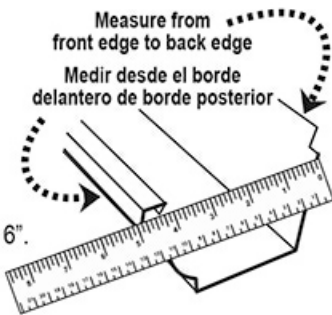


GUTTER COVER ASSEMBLY

Measuring Your Gutter:

The correct measuring method to make sure you have the correct FlexxPoint size.

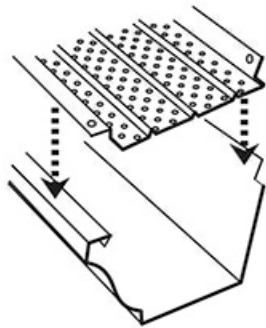
1. Measure from the front edge to the back edge. Should be approx. 5" or 6".



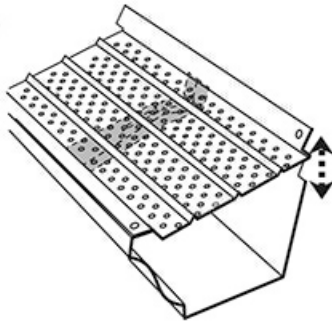
Installation:

Gutter Fit - 3 simple steps.

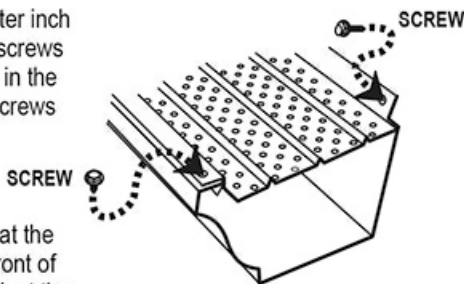
1. Fit/position FlexxPoint into the gutter system. FlexxPoint's position is determined by the type and height of the existing gutter mounting system used. The rear mounting tab of FlexxPoint may be flush with the back of the gutter system or elevated to sit directly on or clear gutter mounting brackets.



NOTE: A flat position or a forward slope to the gutters is acceptable. Do **NOT** mount FlexxPoint with a rearward slope to the back of the gutter system/fascia.



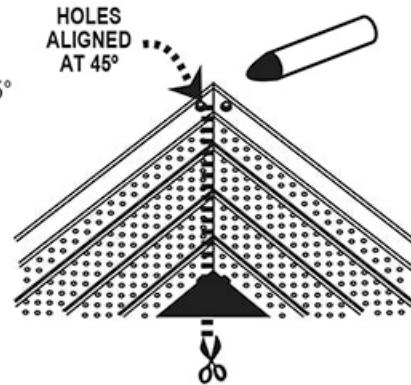
2. Using a drill with a quarter inch (1/4") hex head, screw screws into the predrilled holes in the front first. Then screw screws into the predrilled holes in the back.
3. Overlap the FlexxPoint at the cut off end so that the front of FlexxPoint butts up against the other and repeat Steps 1 and 2.



Miter Fit

Fit/position FlexxPoint into the gutter system. Mark where to cut along the 45° angle of the predrilled drain holes. Cut along the predrilled drain holes and re-fit/position FlexxPoint into the gutter system. Install a screw in each corner.

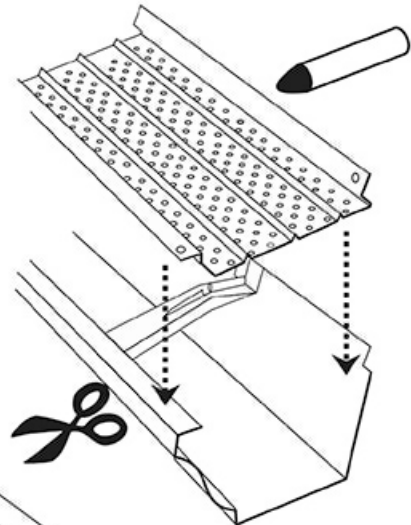
NOTE: A flat position or a forward slope to the gutters is acceptable. Do **NOT** mount FlexxPoint with a rearward slope to the back of the gutter system/fascia.



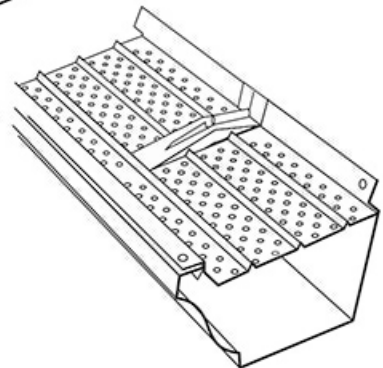
If You Have High Profile Mounting Brackets

and do not have the clearance to elevate the rear of the cover to clear the existing brackets:

1. Fit FlexxPoint onto the gutter system. Mark where to cut for brackets with a marker.
2. Using snips, cut two slots to the appropriate "point." Follow the holes for a straight cut. Bend piece back and forth until it breaks away.



3. Attach FlexxPoint to gutter following the instructions at left.



FLEXXPOINT

Made in the U.S.A.
Hecho en U.S.A.

Made from
recycled aluminum
Elaboradas a partir de
aluminio reciclado

